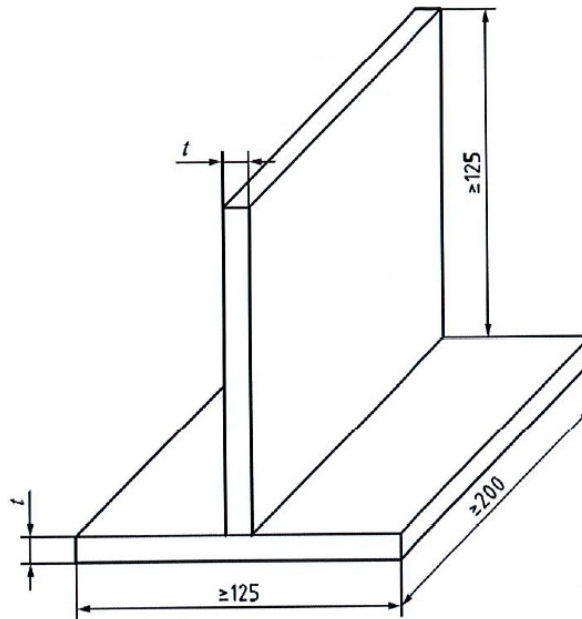




ISO 9606-1:2012(E)

Dimensions in millimetres



Key

t material thickness of test piece